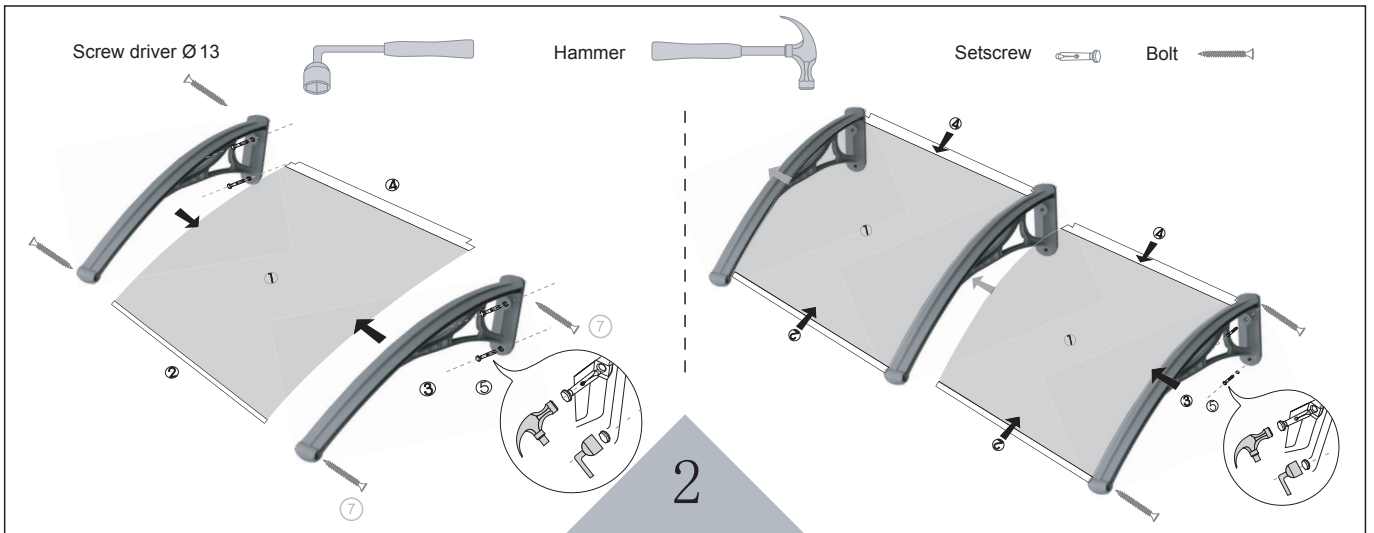
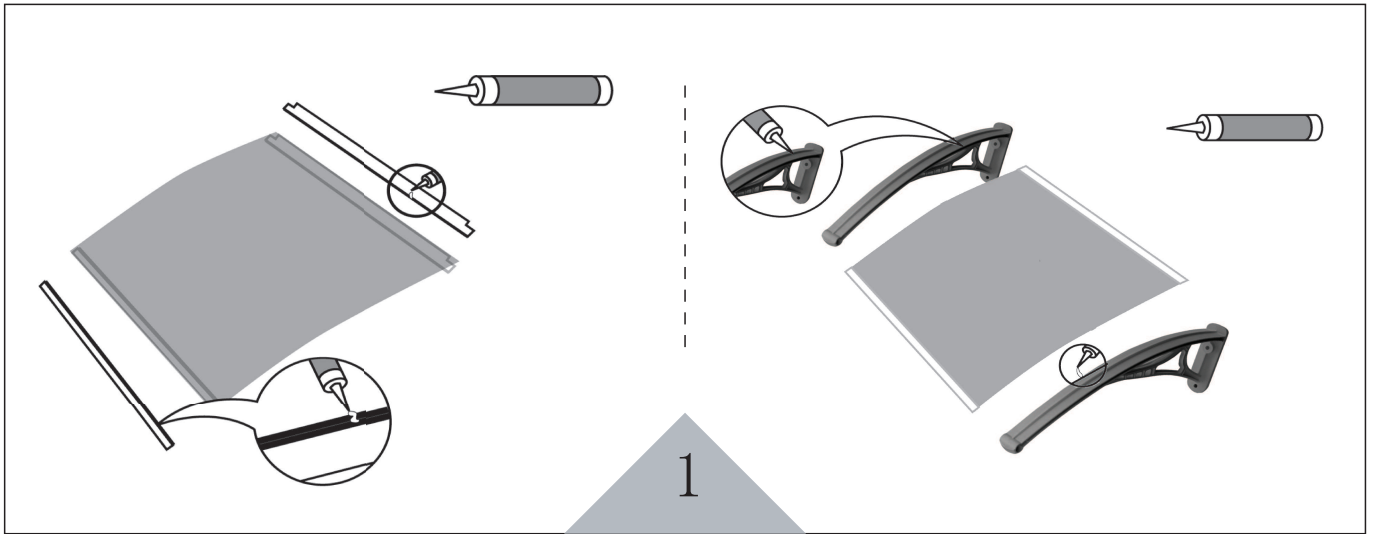


Assembling instruction



- ① Board ② Frontal Fixing Bar ③ Bracket ④ Back Fixing Bar ⑤ Setscrew

Components

	Drawing	Number	Indication
1.		1	Board
2.		1	Frontal Fixing Bar
3.		2	Wall brackets

	Drawing	Number	Indication
4.		1	Back Fixing Bar
5.		4	Setscrew
6.		1	Neutral Sealant
7.		4	Bolt